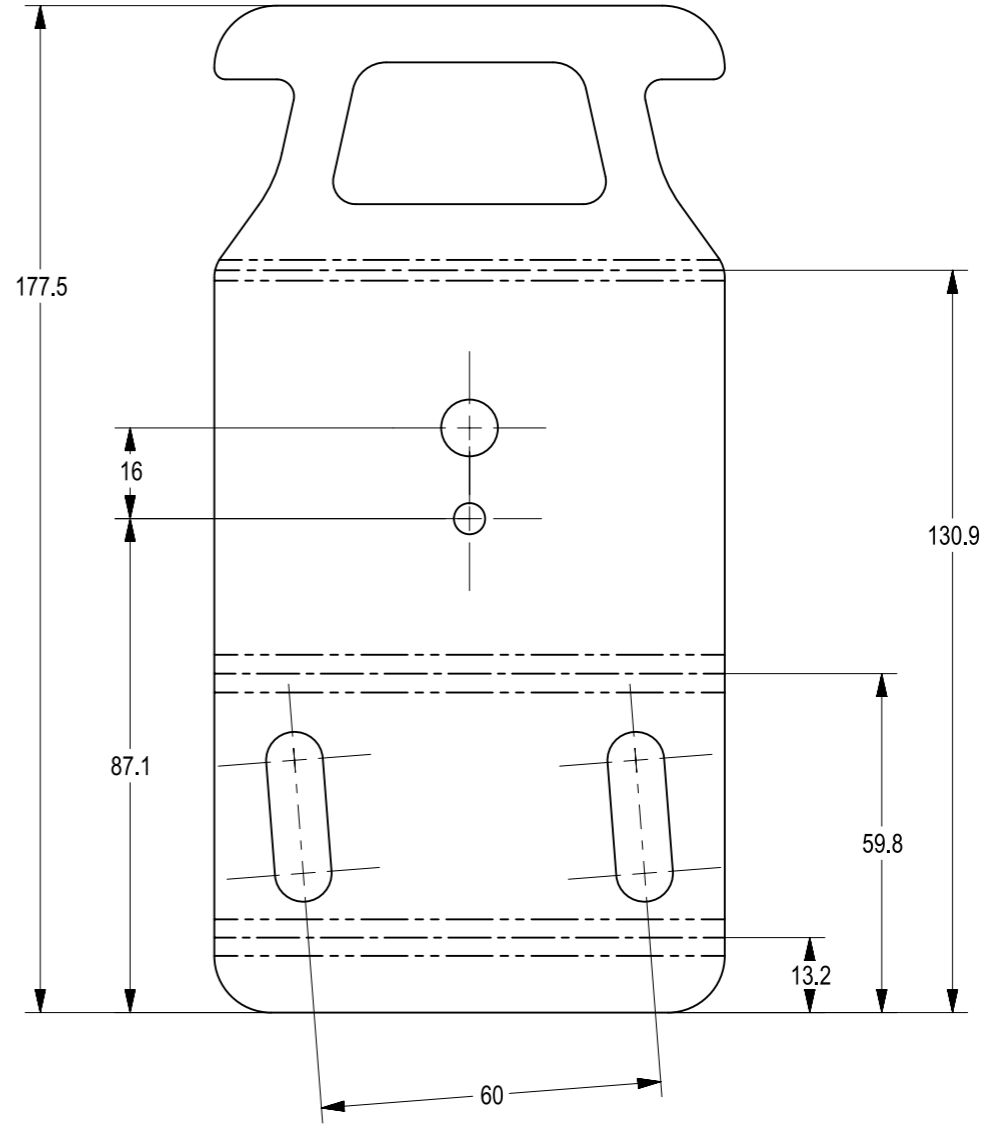
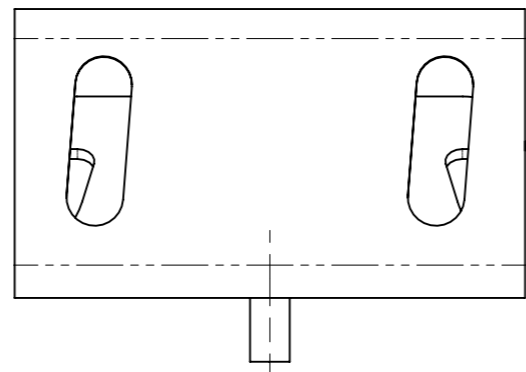
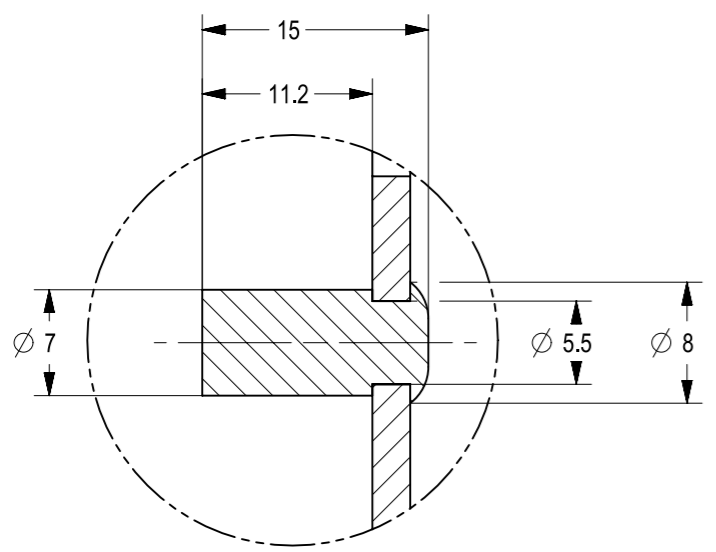
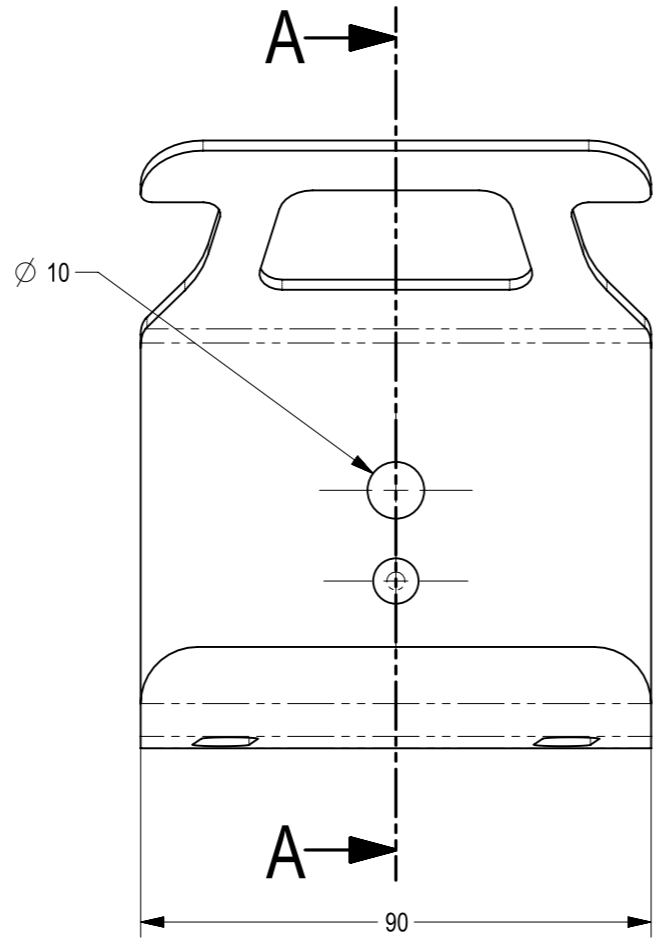
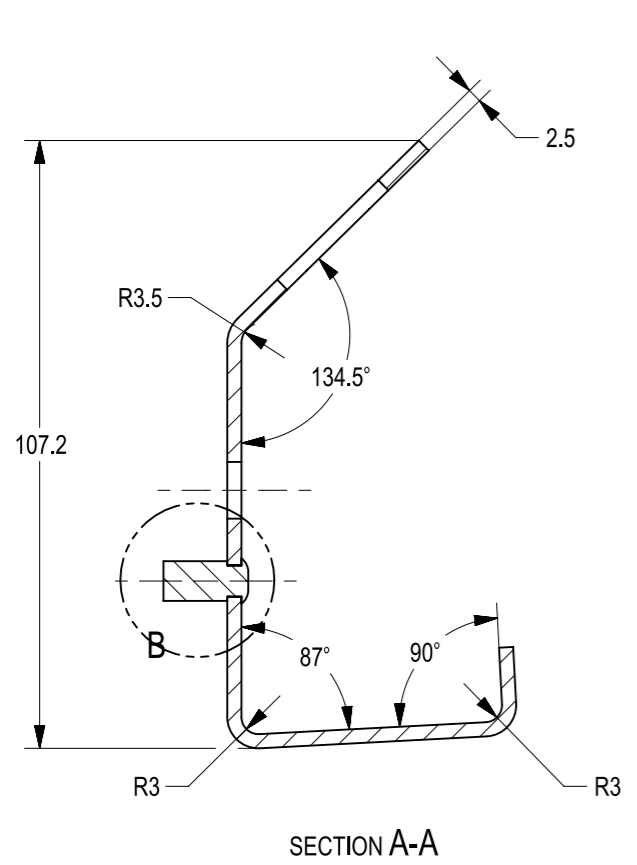


6 5 4 3 2 1



FLAT PATTERN  
REFER TO DXF FILE

DETAIL B  
SCALE 2:1

- NOTES:
- 1 ALL PARTS TO BE FREE OF BURRS AND SHARP EDGES.
  - 2 PARTS TO BE DELIVERED IN GOOD CONDITION ON SITE SUBJECT TO ACCEPTANCE.
  - 3 FOR ALL ADDITIONAL DIMENSIONS NOT SHOWN REFER TO MATH MODEL DATA.



REVISIONS			

1	BRACKET STRIKER LH	1	269.8		
ITEM	PART No.	DESCRIPTION	MATERIAL	QTY	MASS (g)
<p>Innovative Industrial Product Design - ABN 33 074 732 139</p>					
<p>TOLERANCES U.N.O</p> <p>FABRICATION 0-1000±1.0 &gt;1000±2.0</p> <p>MACHINING ±0.2</p> <p>MACHINE SURFACES 3.2/√</p> <p>HOLE POSITION <math>\oplus</math> <math>\varnothing</math>1.0 <math>\text{M}</math></p> <p>DO NOT SCALE</p> <p>ALL DIMENSIONS IN mm</p>				<p>TITLE: BRACKET STRIKER LH</p> <p>DWG No.</p> <p>SIZE: A3</p>	
SHEET 1 OF 1			SCALE: 3:4		

6 5 4 3 2 1 A3